

**PRODUCT  
CATALOG**

**TMXFLOW**

**SKP  
PORTABLE AGITATOR**





## Application

The SKP series agitators are vertical direct motor-driven agitators with clamps.

They are widely used in processes of mixing, dissolution, dispersion, and maintenance whenever powerful and high-speed agitation is required in the food processing, cosmetics, pharmaceutical or pharmaceutical or chemical industries.

The agitators can be fitted to small tanks of up to 1500 liters for work with low viscosity.

## Operation

These agitators are fixed to the wall of the tank by means of a clamp, thanks to the joint, can be inclined to the required position.

The rotation of the propeller makes the fluid flow the bottom of the tank and then up to the surface of the fluid along the tank wall opposite to the wall to which the agitator is fitted. This effect is promoted if the bottom of the tank is curved.

## User Benefits

- Minimum energy consumption
- Gentle product treatment
- More uptime and higher yields due to low maintenance
- Cost-Effective solutions for your process

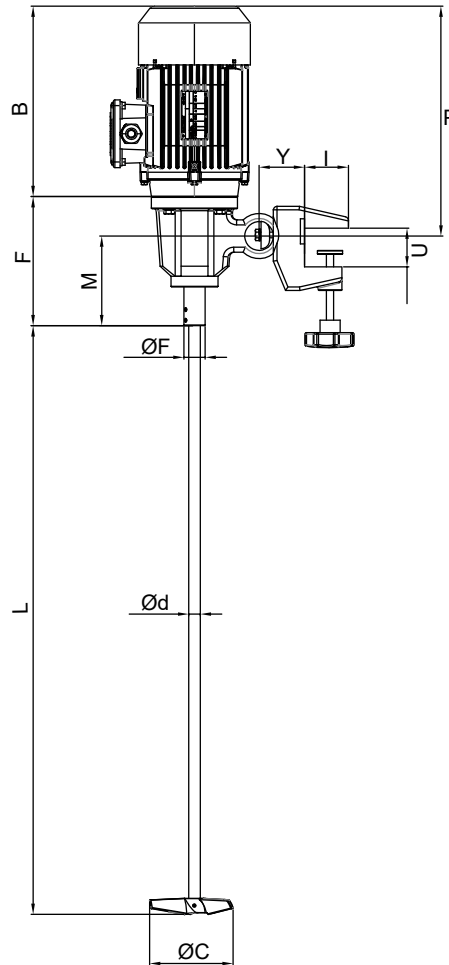
## Materials

Parts in contact with the product .....	AISI 316L
V-ring and retainer .....	NBR
Bearing support .....	Aluminum
Surface finish (except propeller) .....	Ra ≤ 0,8 μm

## Options

- Welded propeller with Ra ≤ 0,5 μm surface finish.
- Motor shroud
- Motors with other protections
- ATEX motor
- Sawtooth propeller
- Motors: 950 rpm or 1500 rpm.
- Pneumatic drive.

## Dimensions



## Assembly Dimensions

TYPE	L (max)	B	p	Ød	ØF	M	F	Y	I	U	ØC
SKP 10-005-130	1200	250	305	16	30	124	180	62	60	45	130
SKP 10-007-130	1200	250	305	16	30	124	180	62	60	45	130

## Capacity

Type	Tank Capacity (m³)	Power (kw)	Speed (rpm)	Weight (kg)
SKP 10-005-130	0,1-0,7	0,55	900	17,0
SKP 15-007-130	0,2-0,8	0,75	1500	16,5